

Technical data sheet

Product features



Cooking range electric with electric static oven

Model	SAP Code	00014787
--------------	-----------------	----------



- Device type: Electric unit
- Power consumption of the zone 1 [kW]: 2,6
- Power consumption of the zone 2 [kW]: 2,6
- Power consumption of the zone 3 [kW]: 2,6
- Power consumption of the zone 4 [kW]: 2,6
- Power consumption of the zone 5 [kW]: 2,6
- Power consumption of the zone 6 [kW]: 2,6
- Type of internal part of the appliance 1 (eg oven): Electric
- Type of internal part of the appliance 2 (eg oven): Static
- Protection of controls: IP24
- Material: AISI 304 top plate and cladding

SAP Code	00014787	Power consumption of the zone 1 [kW]	2,6
Net Width [mm]	1200	Power consumption of the zone 2 [kW]	2,6
Net Depth [mm]	730	Power consumption of the zone 3 [kW]	2,6
Net Height [mm]	900	Power consumption of the zone 4 [kW]	2,6
Net Weight [kg]	166.00	Power consumption of the zone 5 [kW]	2,6
Power electric [kW]	24.300	Power consumption of the zone 6 [kW]	2,6
Loading	400 V / 3N - 50 Hz	Type of internal part of the appliance 1 (eg oven)	Electric
Number of zones	6	Type of internal part of the appliance 2 (eg oven)	Static

Technical data sheet

Technical drawing

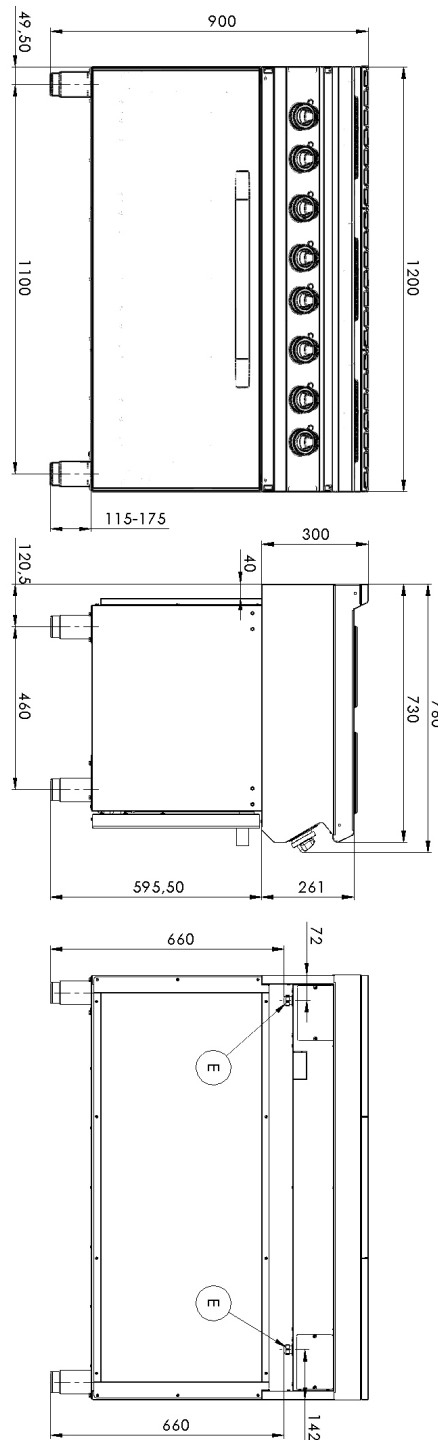


Cooking range electric with electric static oven

Model

SAP Code

00014787



Technical data sheet

Technical parameters



Cooking range electric with electric static oven

Model

SAP Code

00014787

1. SAP Code:

00014787

2. Net Width [mm]:

1200

3. Net Depth [mm]:

730

4. Net Height [mm]:

900

5. Net Weight [kg]:

166.00

6. Gross Width [mm]:

1260

7. Gross depth [mm]:

820

8. Gross Height [mm]:

1080

9. Gross Weight [kg]:

182.00

10. Device type:

Electric unit

11. Construction type of device:

Stationary

12. Power electric [kW]:

24.300

13. Loading:

400 V / 3N - 50 Hz

14. Protection of controls:

IP24

15. Exterior color of the device:

Stainless steel

16. Material:

AISI 304 top plate and cladding

17. Worktop type:

Molded - comfortable cleaning maintenance

18. Worktop material:

AISI 304

19. Worktop Thickness [mm]:

1.50

20. Number of zones:

6

21. Power consumption of the zone 1 [kW]:

2,6

22. Power consumption of the zone 2 [kW]:

2,6

23. Power consumption of the zone 3 [kW]:

2,6

24. Power consumption of the zone 4 [kW]:

2,6

25. Power consumption of the zone 5 [kW]:

2,6

26. Power consumption of the zone 6 [kW]:

2,6

27. Service accessibility:

Trough the frontal panel

28. Safety thermocouple:

Yes

Technical data sheet

Technical parameters



Cooking range electric with electric static oven

Model

SAP Code

00014787

29. Adjustable feet:

Yes

34. Oven size:

GN 3x 1/1

30. Number of burners/hot plates:

6

35. Type of internal part of the appliance 1 (eg oven):

Electric

31. Type of electric cooking zones:

Oval

36. Type of internal part of the appliance 2 (eg oven):

Static

32. Oven Type:

electrical static

37. Gasket:

Yes

33. Oven power gas [kW]:

8.70